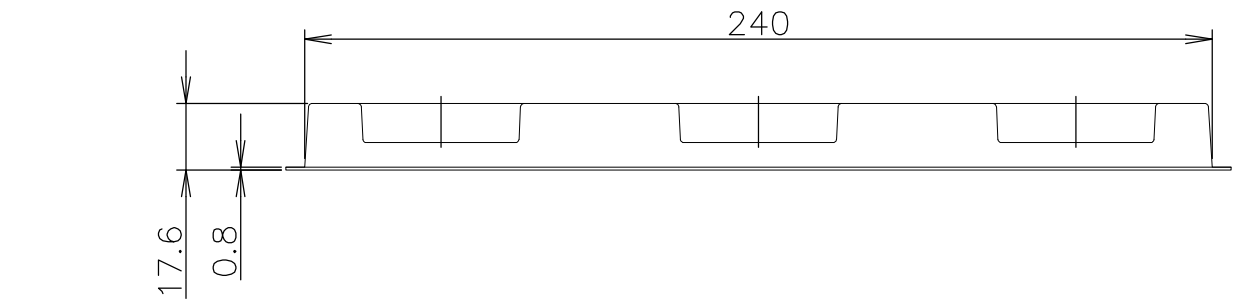
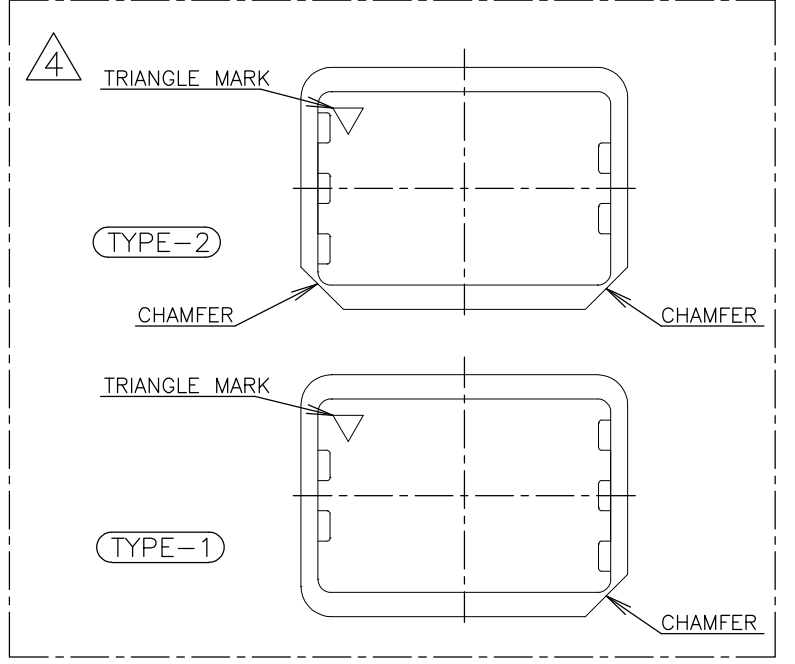
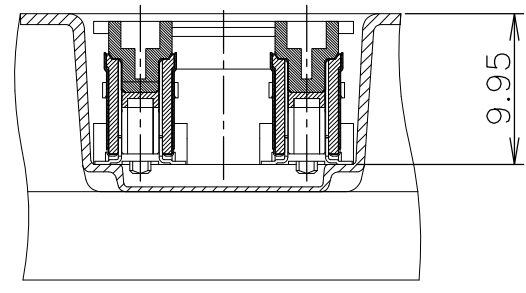
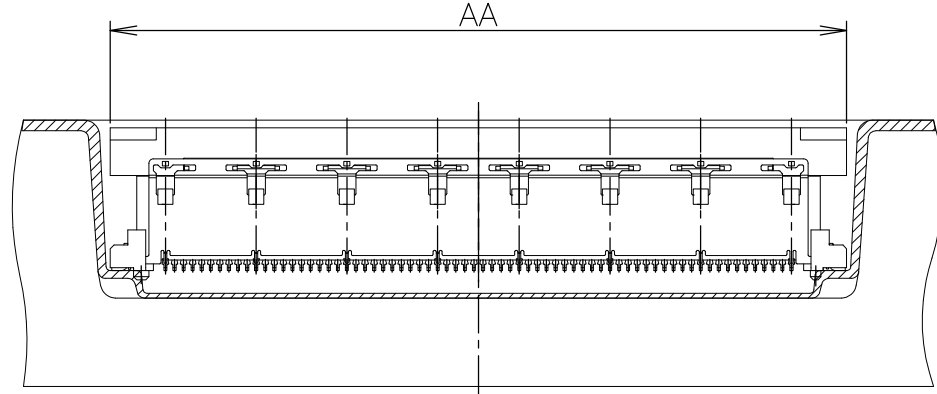
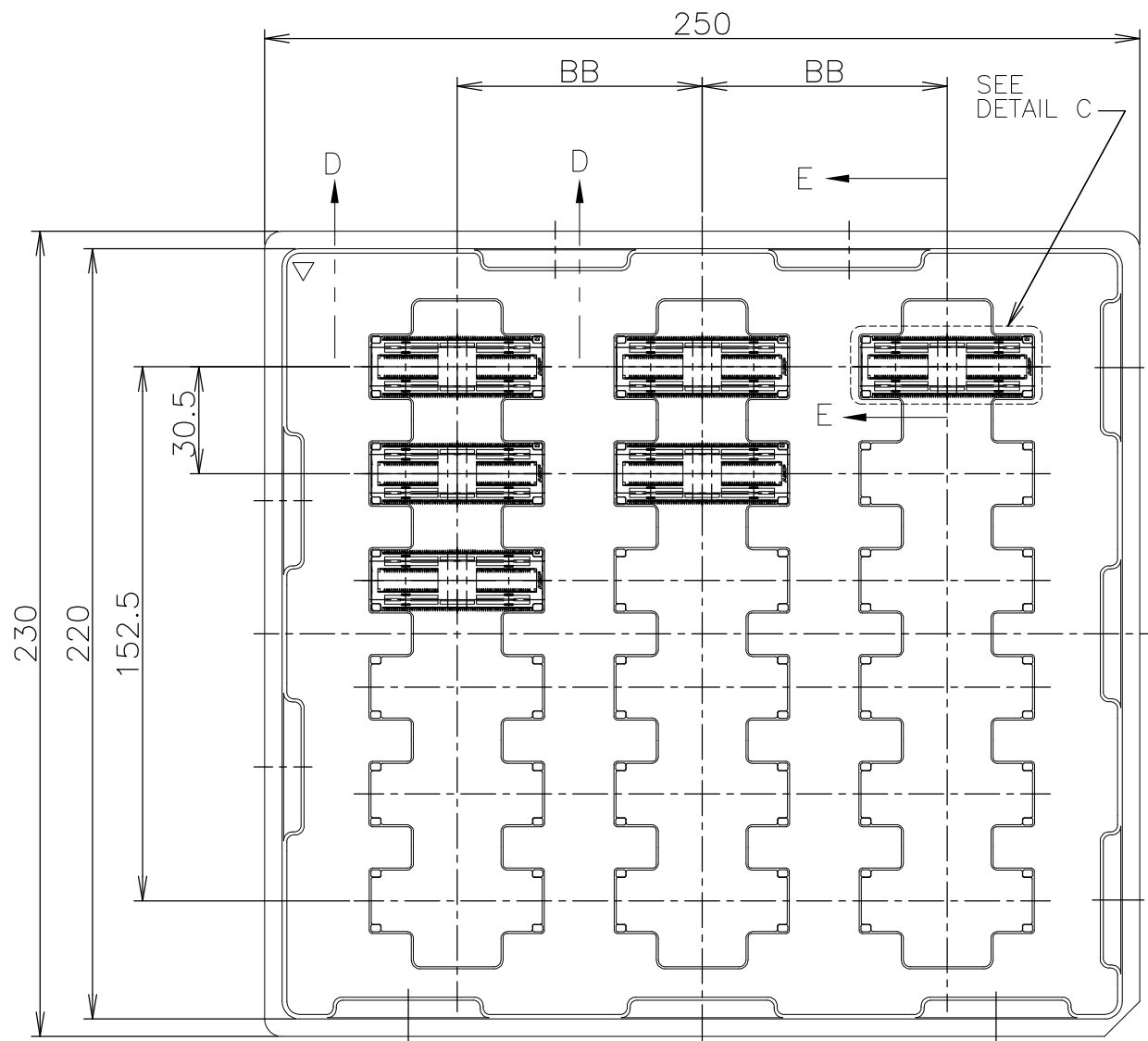


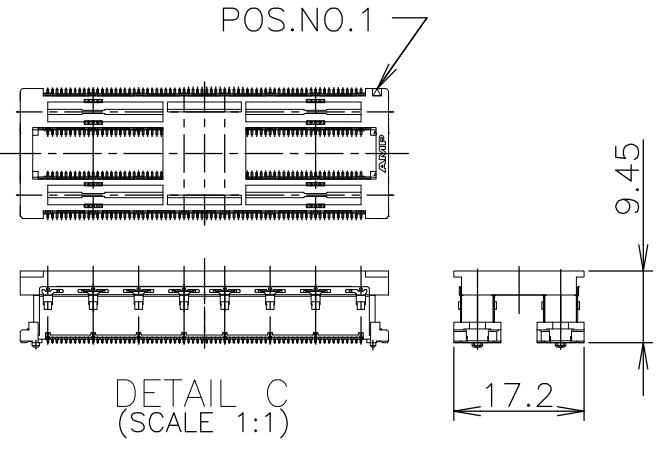
THIS DRAWING IS UNPUBLISHED. RELEASED FOR PUBLICATION JAN , 1997.
 © COPYRIGHT 1997 BY TYCO ELECTRONICS CORPORATION. ALL RIGHTS RESERVED.

LOC J	DIST	REVISIONS 変更			DATE	DWN	APVD
		P	LTR	DESCRIPTION			
		A	REVISED	ECR-08-000339	01FEB08	T.T	T.F

AS SHOWN: TYPE-1



SEALANT	NOT AVAILABLE	3	18	70	54.7	320	6-5353727-1
	AVAILABLE	↑	↑	↑	48.7	280	6- -0
	NOT AVAILABLE	↓	↓	↓	42.7	240	5- -9
	NOT AVAILABLE	3	18	70	36.7	200	5-5353727-8
NON SEALANT	NOT AVAILABLE	3	18	70	54.7	320	1-5353727-1
	AVAILABLE	↑	↑	↑	48.7	280	1- -0
	NOT AVAILABLE	↓	↓	↓	42.7	240	-9
	NOT AVAILABLE	3	18	70	36.7	200	5353727-8
SEALANT	TOOLING STATUS	ROW	QTY	BB	AA	POS.	PART NO.



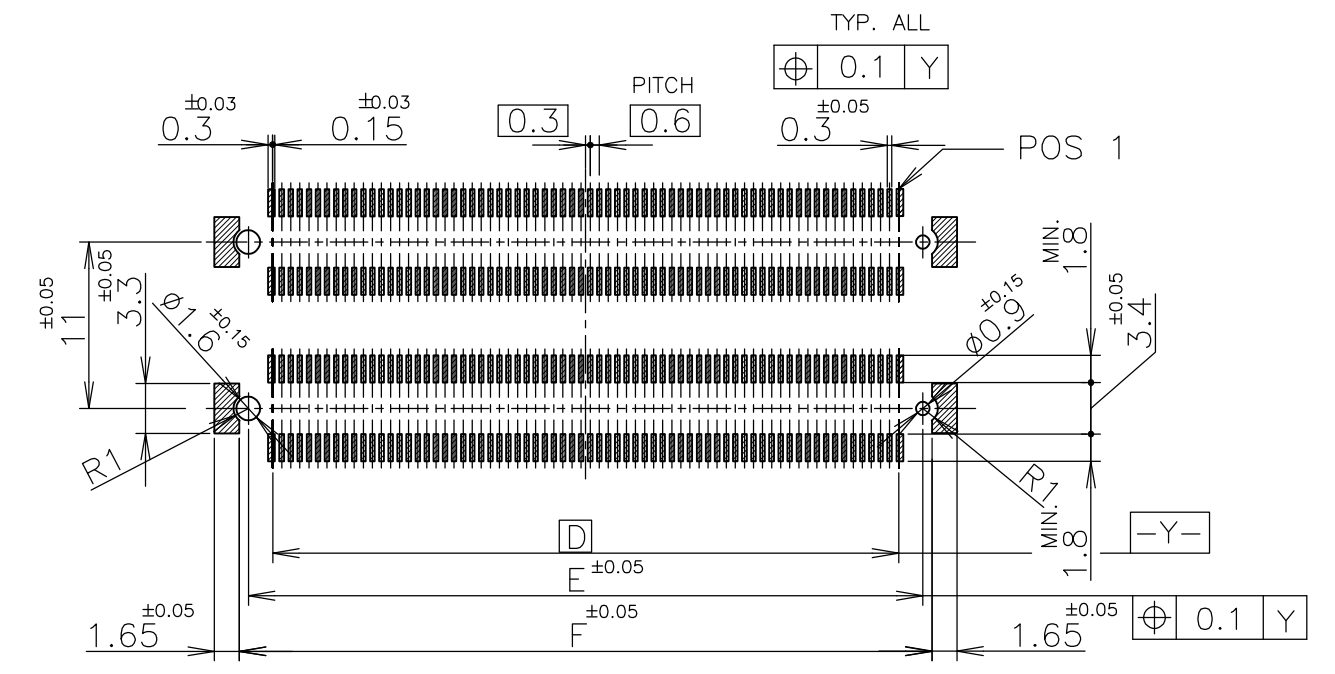
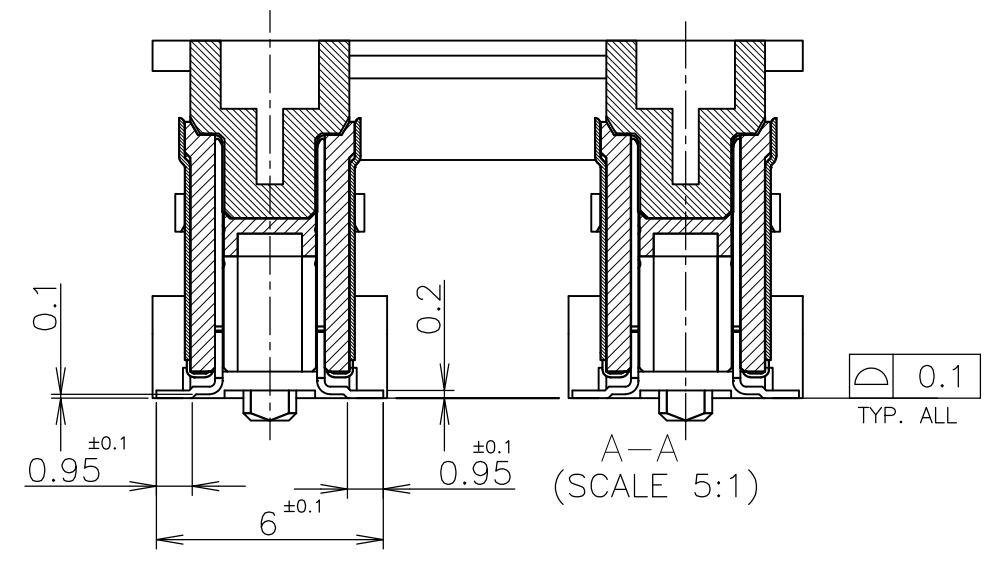
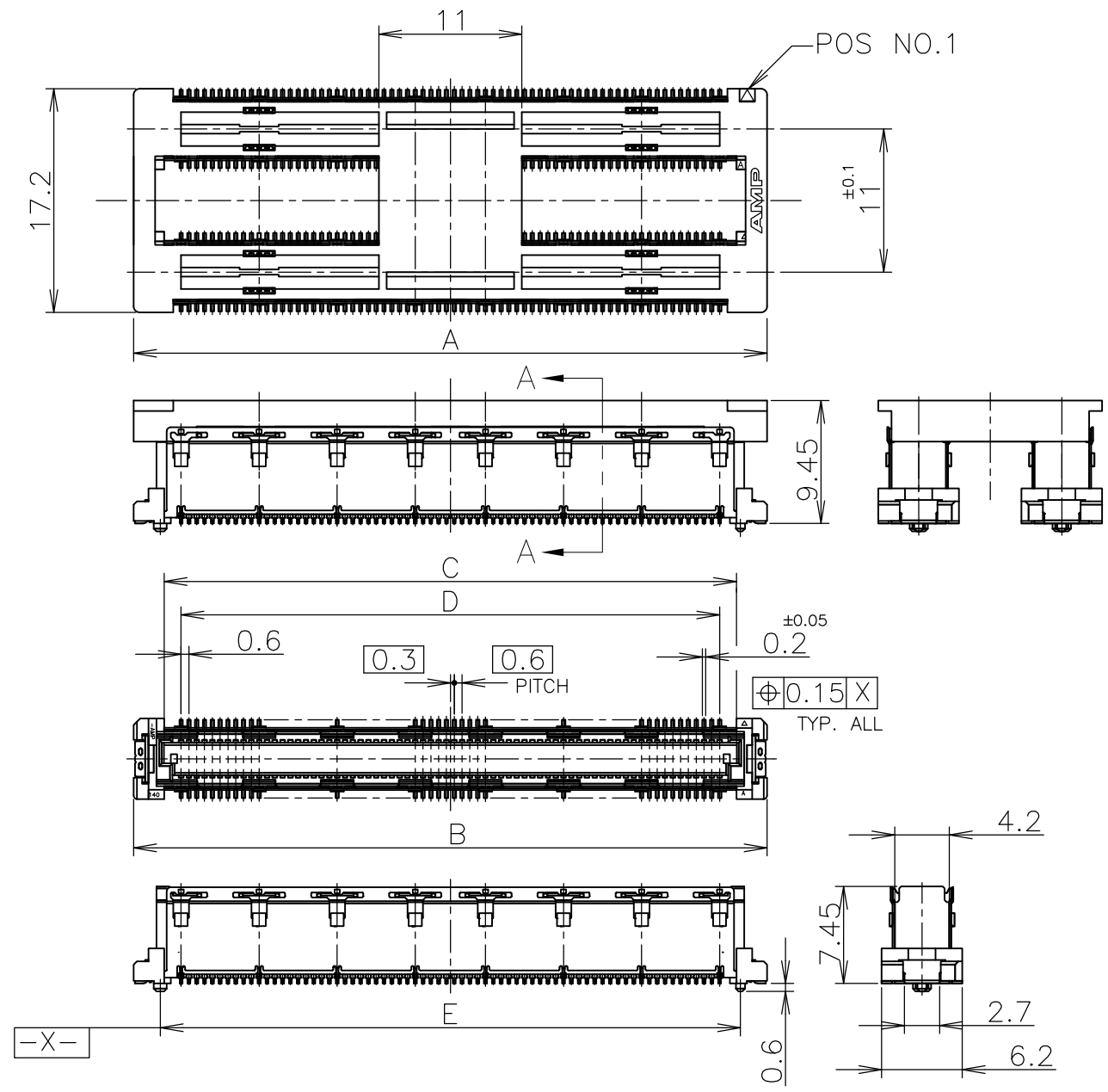
GENERAL TOLERANCE
 一般公差
 10 ≥ ±0.2
 30 ≥ >10: ±0.25
 100 ≥ >30: ±0.3
 ANGLES: ±3°

THIS DRAWING IS A CONTROLLED DOCUMENT.

DIMENSIONS: 单位: 耗 mm	TOLERANCES UNLESS OTHERWISE SPECIFIED: 一般公差	DWN LEO ZHOU 17NOV04	Tyco Electronics Corporation Kawasaki, Japan	
MATERIAL 材料	FINISH 仕上	CHK STEVEN YAO 17NOV04	NAME 名称	
		APVD I.ENOMOTO 17NOV04	SOFT TRAY ASSY FH 0.6BTB CONNECTOR PLUG 8H W/G-PLATE 2ROW TYPE	
		PRODUCT SPEC 製品規格 108-60047	SIZE A3	CAGE CODE 00779
		APPLICATION SPEC 取付適用規格 114-5255	DRAWING NO 番号 G-5353727	RESTRICTED TO
		WEIGHT	CUSTOMER DRAWING	
			SCALE 尺度 1:2	SHEET 1 OF 3
				REV A

THIS DRAWING IS UNPUBLISHED. RELEASED FOR PUBLICATION JAN , 1997.
 © COPYRIGHT 1997 BY TYCO ELECTRONICS CORPORATION. ALL RIGHTS RESERVED.

LOC	DIST	REVISIONS		
		P	LTR	DESCRIPTION
J		-	SEE SHEET 1	
				DATE
				DWN
				APVD



REFERENCE P.C.BOARD LAYOUT

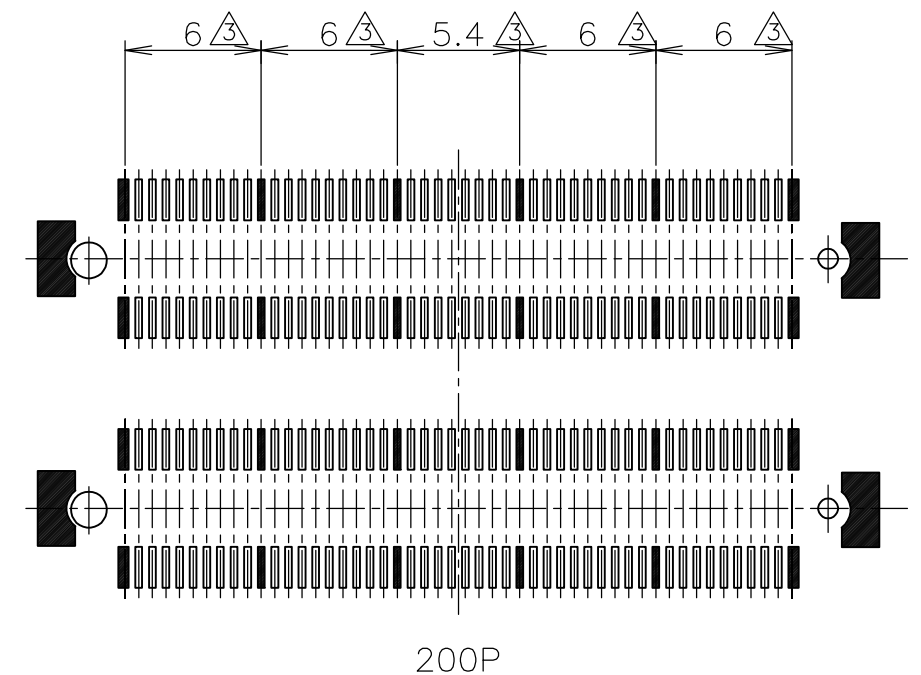
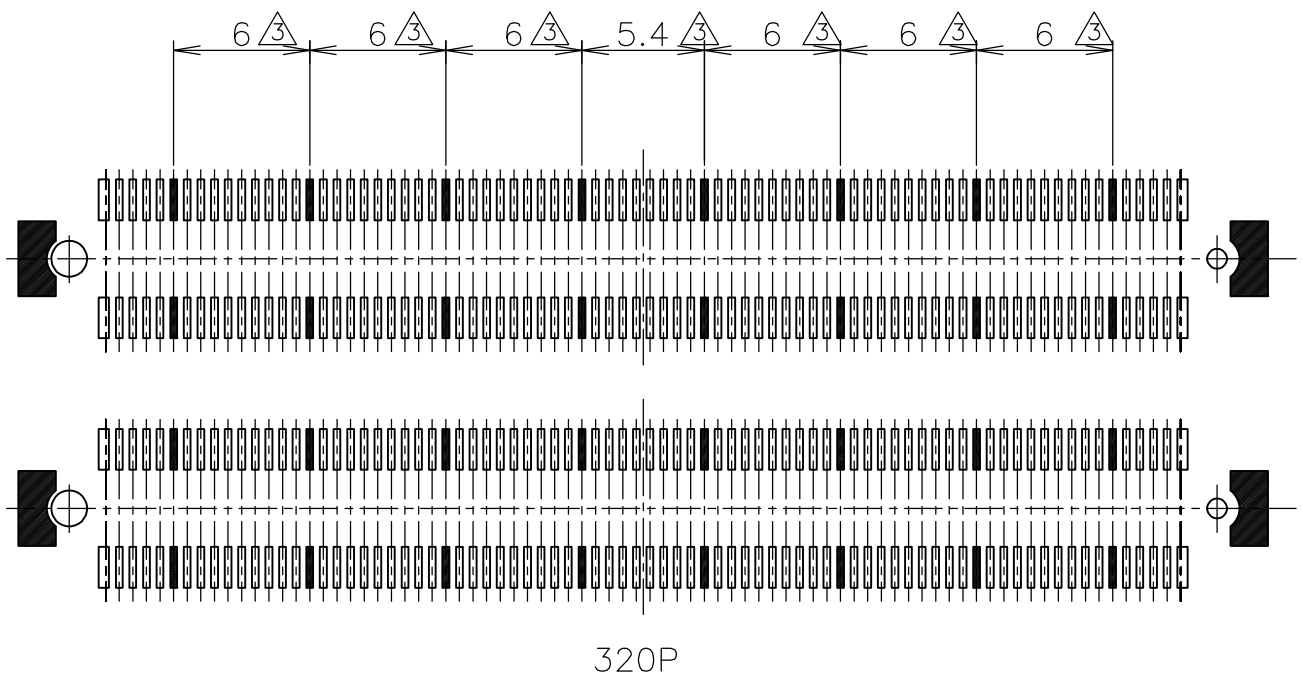
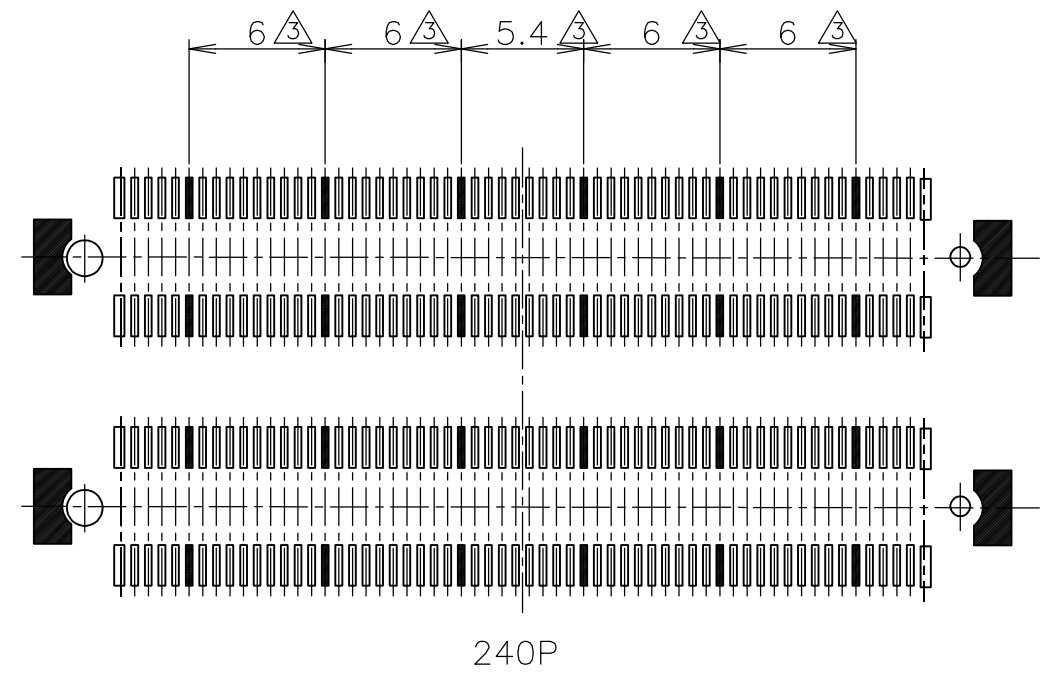
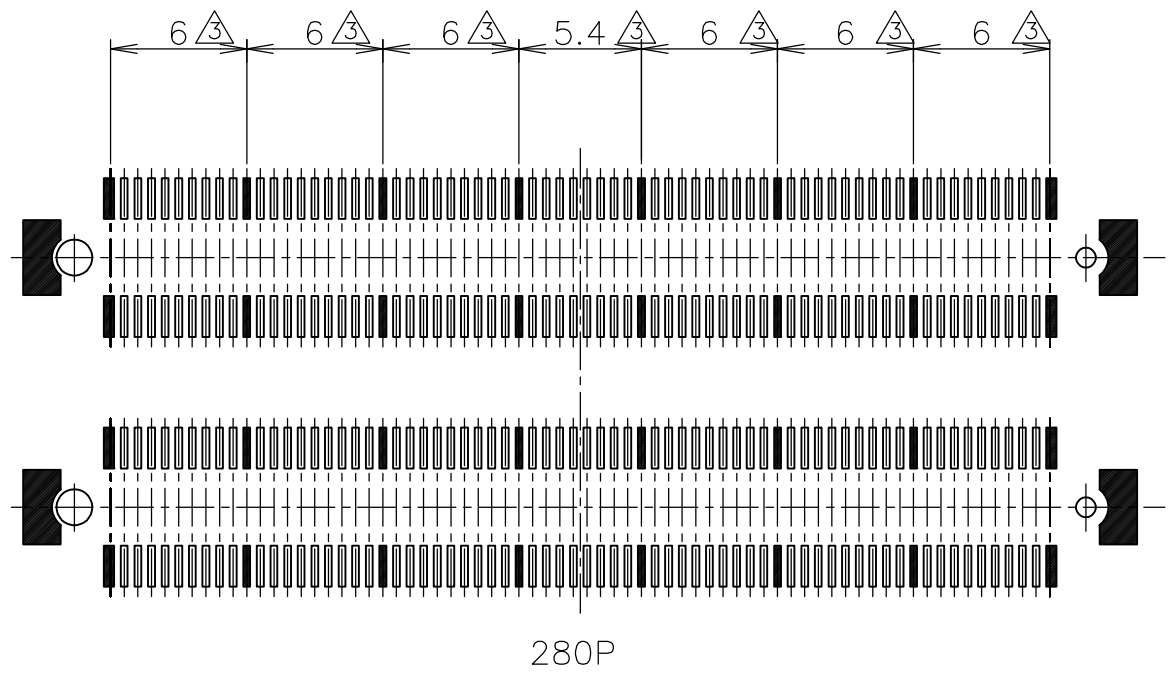
51.8	50.6	47.4	50	54.7	54.7	320	1-5353727-1	&	6-5353727-1
45.8	44.6	41.4	44	48.7	48.7	280	1-0	&	6-0
39.8	38.6	35.4	38	42.7	42.7	240	-9	&	5-9
33.8	32.6	29.4	32	36.7	36.7	200	5353727-8	&	5-5353727-8
F	E	D	C	B	A	POS	PART NO.		

- 1 MATERIAL ; HOUSING : HIGH TEMP THERMO PLASTIC
UL94V-0
CONTACT : COPPER ALLOY
- 2 FINISH ; UNDER PL Ni 0.0013mm MIN ALL OVER.
CONTACT AREA 0.0002 MIN Au PL.
SOLDERING AREA 0.001 MIN TIN PL.
- 3 THIS POSITION IS GROUND CIRCUIT.
- 4 TRAY TYPE-1 AND TYPE-2 MUST BE
PILED UP BY TURNS.
(REFER TO PACKING SPECIFICATIONS)

THIS DRAWING IS A CONTROLLED DOCUMENT.		DWN	Tyco Electronics Corporation Kawasaki, Japan	
DIMENSIONS: 単位: 耗 mm		CHK	NAME 名称	
TOLERANCES UNLESS OTHERWISE SPECIFIED: 一般公差		APVD	SOFT TRAY ASSY FH 0.6BTB CONNECTOR PLUG 8H W/G-PLATE 2ROW TYPE	
0 PLC ±-		PRODUCT SPEC 製品規格	SIZE	CAGE CODE
1 PLC ±-		APPLICATION SPEC 取付適用規格	A3	00779
2 PLC ±-		WEIGHT	DRAWING NO 番号	
3 PLC ±-			G-5353727	
4 PLC ±-			RESTRICTED TO	
ANGLES ±-				
MATERIAL 材料	FINISH 仕上	CUSTOMER DRAWING		
1	2	SCALE 尺度	SHEET	REV
		2:1	2 OF 3	A

THIS DRAWING IS UNPUBLISHED. RELEASED FOR PUBLICATION JAN , 1997.
 © COPYRIGHT 1997 BY TYCO ELECTRONICS CORPORATION. ALL RIGHTS RESERVED.

LOC	DIST	REVISIONS 変更			DATE	DWN	APVD
J		P	LTR	DESCRIPTION			
			-	SEE SHEET 1	-	-	-



THIS DRAWING IS A CONTROLLED DOCUMENT.		DWN	Tyco Electronics Corporation Kawasaki, Japan		
DIMENSIONS: 単位: 耗 mm		CHK	NAME 名称		
TOLERANCES UNLESS OTHERWISE SPECIFIED: 一般公差		APVD	SOFT TRAY ASSY FH 0.6BTB CONNECTOR PLUG 8H W/G-PLATE 2ROW TYPE		
0 PLC ± - 1 PLC ± - 2 PLC ± - 3 PLC ± - 4 PLC ± - ANGLES ± -		PRODUCT SPEC 製品規格	SIZE	CAGE CODE	DRAWING NO 番号
MATERIAL 材料		APPLICATION SPEC 取付適用規格	A3	00779	G-5353727
FINISH 仕上		WEIGHT	RESTRICTED TO		
①		CUSTOMER DRAWING		SCALE 尺度 3:1	SHEET 3 OF 3
②				REV A	